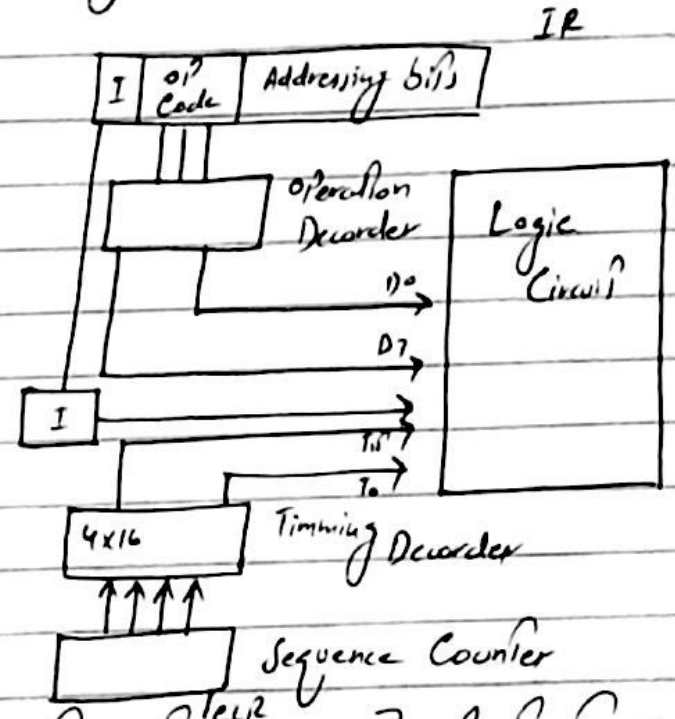


04/8/15

(Lec no
21,22)

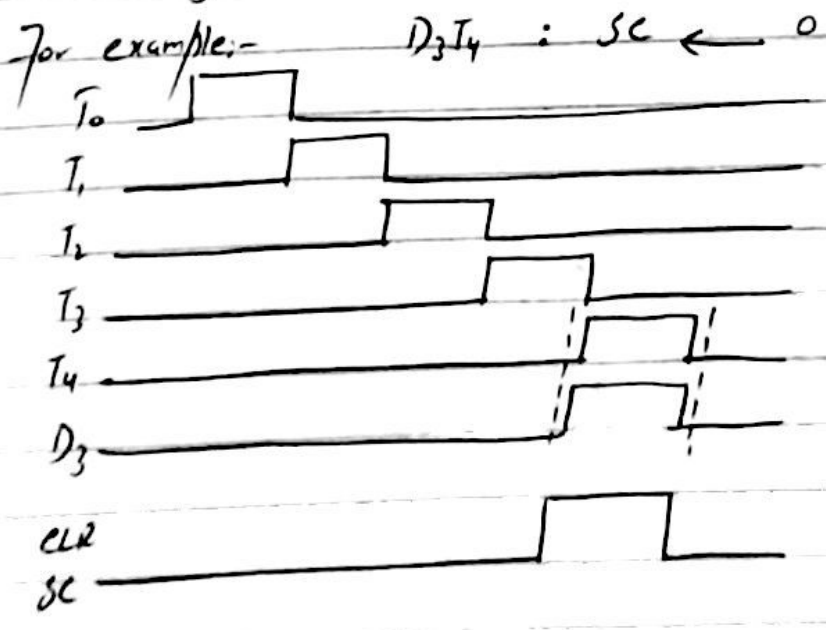
Timing and Control

Instruction Register:-



Circuit to control execution timing of instructions.

Time Diagram:-

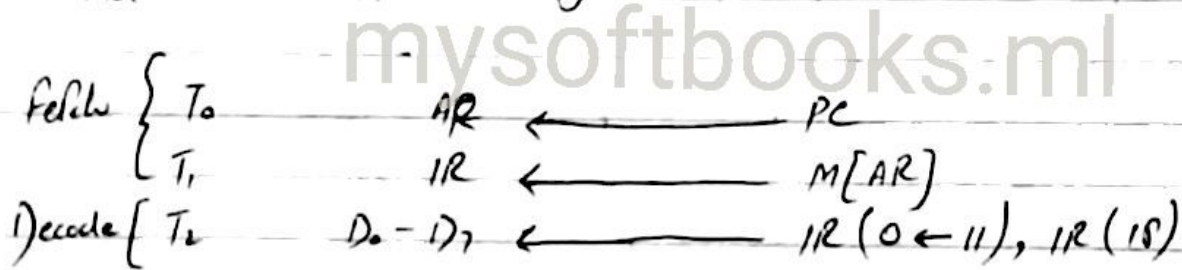


Instruction Cycle

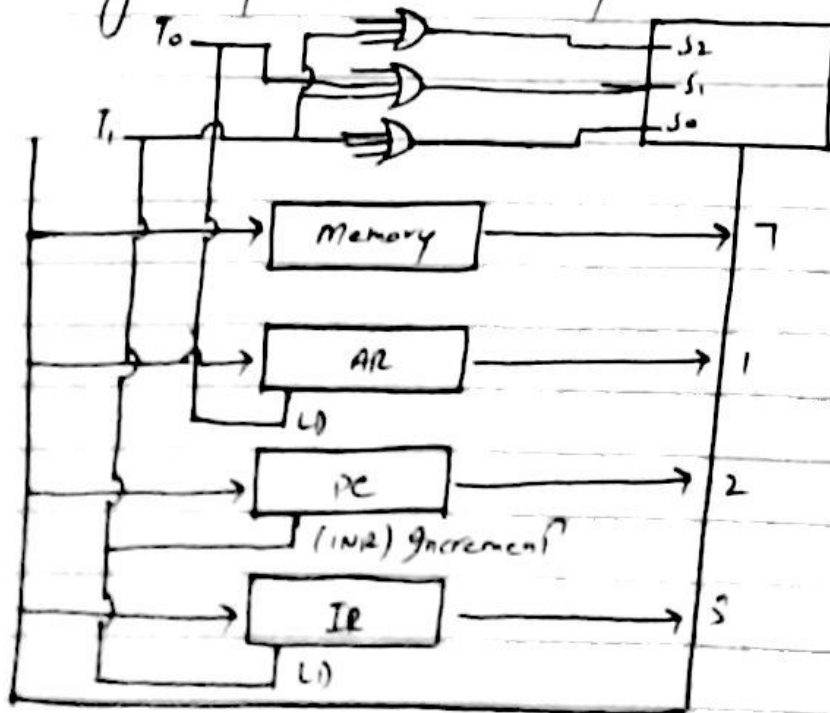
It has three phases -

- i) Fetch
- ii) Decode
- iii) Execute

It will perform following Micro-operations to Fetch and decode data.



Block diagram for Instruction Cycle -



Instruction Type Determination Flow chart.

